

## MOBOTIX D25M MonoDome Camera



### Fits In. Watches Out.

Elegance and discreetness based on cutting-edge technology: Up to 30 HiRes images per second and excellent image quality even under poor illumination. The MOBOTIX D25 is perfectly suited for any task. Exchangeable lenses and various mounting and configuration options, including Vandalism Set, support countless applications.

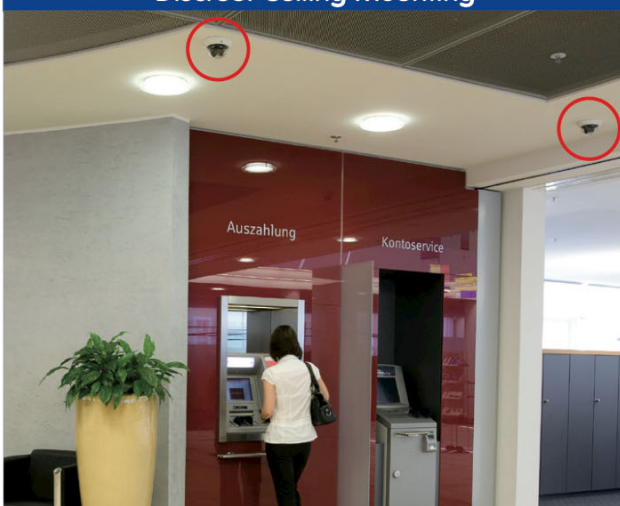
- Elegant dome camera with exchangeable lenses from telephoto to wide-angle lens
- Numerous installation options both outdoors or indoors
- 5MP sensor technology for detailed images and smooth video streams even in dark surroundings
- Integrated DVR (up to 64 GB) for long-term recording without network load
- Robust, low-maintenance and weatherproof device with no moving parts (IP65)
- Digital continuous pan, tilt and zoom function; improved zoom thanks to 5MP
- Intelligent movement sensors (MxActivitySensor)
- Can be expanded into an intercom using the MOBOTIX ExtIO module

#### MOBOTIX Advantages

Extremely high-sensitive 5-megapixel sensors • All relevant events are automatically saved • Highly secure as motion sensors detect even the smallest movements and reduce the number of false alarms • Cost-effective as fewer cameras are needed thanks to HiRes Images • Maintenance-free with no heaters, fans or moving parts • Can be expanded thanks to encrypted two-wire bus (MxBus) • Synchronization via GPS satellite means data available in real time • Weatherproof from -30°C to 50°C (-22°F to 122°F) • No licensing or software fees, free-of-charge updates

Accessories	
	<b>In-ceiling set</b> <ul style="list-style-type: none"> <li>• Installation set with mounting accessories</li> <li>• Simple installation from the front</li> <li>• 15 cm diameter</li> <li>• Optionally available with stainless steel ring</li> </ul>
	<b>On-wall set</b> <ul style="list-style-type: none"> <li>• Consists of on-wall set and mounting parts</li> <li>• Concealed cabling</li> <li>• 16.5 x 3.7 cm</li> </ul>
	<b>Vandalism set</b> <ul style="list-style-type: none"> <li>• Reinforced dome (3 mm polycarbonate)</li> <li>• Stainless steel anti-vandalism ring (polished, matt or powder-coated in white, silver-gray or black)</li> </ul>
	<b>Wall mount</b> <ul style="list-style-type: none"> <li>• Weatherproof (IP65)</li> <li>• Covers RJ45 in-wall sockets and PatchBox</li> <li>• Space for expansion modules (Wi-Fi)</li> </ul>
	<b>Pole mount</b> <ul style="list-style-type: none"> <li>• 3 mm powder-coated stainless steel</li> <li>• 2 stainless steel straps for pole diameters from 6 to 18 cm, incl. mounting parts</li> </ul>
	<b>ExtIO function expansion</b> <ul style="list-style-type: none"> <li>• Microphone/Speaker</li> <li>• Infrared motion sensor, temperature sensor</li> <li>• 2 signal inputs, 2 signal outputs, 2 illuminated keys</li> </ul>

### Discreet Ceiling Mounting



The compact dome camera delivers detailed images even from a great distance thanks to powerful 5MP technology – and thanks to the sensors' high light sensitivity, emergency lighting conditions are sufficient.

Technical Data	
<b>Model versions</b>	Basic, IT, IT-Night, Sec, Sec-Night
<b>Lens options</b>	25 to 160 mm format, horizontal angle 82° to 13°
<b>Sensitivity</b>	Color sensor: 0.25 lux at 1/60 s, 0.013 lux at 1 s B/W sensor: 0.05 lux at 1/60 s, 0.0025 lux at 1 s MxLEO – Lowlight Exposure Optimization
<b>Image sensors</b>	1/2.5" CMOS, 5 megapixels, progressive scan
<b>Max. image size</b>	Color: 2048 x 1536 (QXGA), B/W: 2048 x 1536 (QXGA)
<b>Image Formats</b>	2048 x 1536, 1280 x 960, 1024 x 768, 800 x 600, 768 x 576 (D1), 704 x 576 (TV-PAL), 640 x 480, 384 x 288, 352 x 288, 320 x 240, 160 x 120; free image format selection (e.g. 1000 x 200 for skyline)
<b>Max. frame rate, M-JPEG (live/recording)</b>	VGA: 30 fps, MEGA/HD: 10 fps, QXGA: 4 fps
<b>Max. video rate MxPEG (live/recording/sound)</b>	VGA: 30 fps, MEGA/HD: 30 fps, QXGA: 20 fps
<b>Image compression</b>	MxPEG, M-JPEG, JPEG, H.264 (SIP video only)
<b>Internal DVR</b>	MicroSD Slot (recording inside the camera, up to 64 GB; 4-GB card preinstalled)
<b>External storage</b>	Directly on NAS and computer/server without additional recording software
<b>Software (free of charge)</b>	MxEasy video management software, MxControlCenter control center software, MOBOTIX App for iOS devices iOS 5.0 and higher
<b>Image processing</b>	Backlight compensation, automatic white balance, image distortion correction, motion detection, MxActivitySensor
<b>Virtual PTZ (vPTZ)</b>	Digital pan/tilt/zoom, continuous 8x zoom, full image recording in the background
<b>Alarm/events</b>	Triggering of events by integrated multiple-window motion detection, external signals, temperature sensor, notification via e-mail, FTP, IP telephony (VoIP, SIP), visual/acoustic alarm, pre- and post-alarm images
<b>Audio (with ExtIO accessory)</b>	Intercom, lip-synchronous live sound, sound recording; video VoIP supported
<b>Interfaces</b>	Ethernet 10/100, IPv4/IPv6, MiniUSB, MxBus, IO and RS232 via MX-232-IO-Box (accessory)
<b>Video telephony</b>	VoIP/SIP, intercom, remote controlling with key code, event notification
<b>Security</b>	User/group management, HTTPS/SSL, IP address filter, IEEE 802.1x, intrusion detection, digital image signature
<b>Certifications</b>	EMC (EN 50121-4, EN 55022, EN 55024, EN 61000-6-2, FCC Part 15B, AS/NZS3548)
<b>Power supply</b>	Power over Ethernet (PoE in accordance with IEEE802.3af): PoE class variable (2/3) depending on operating mode; power consumption: typ. 4.5 watts
<b>Operating conditions</b>	IP65 (DIN EN 60529), -30 to +50 °C/-22 to +122 °F
<b>Dimensions</b>	diam. x H: 16 x 8.6 cm
<b>Weight</b>	about 350 g

For more information on the entire range of MOBOTIX accessories and additional information on the D25M, such as prices, manuals, video management software for computers and iOS devices, etc., please go to [www.mobotix.com](http://www.mobotix.com) > **Products**. Or - if you would like to talk to us on the phone to get advice with our products, please call +49 06302 9816-103.

Camera Model	D25Mi-Basic	D25M-IT	D25M-IT-Night	D25M-Sec	D25M-Sec-Night
<b>Lenses, Sensors</b>					
Hemispheric 12 mm (180° x 160°)	–	–	–	–	–
Super Wide-Angle 25 mm (82° x 61°)	L25*	L25	L25	L25	L25
Wide-Angle 38 mm (55° x 41°)	L38*	L38	L38	L38	L38
Wide-Angle 51 mm (40° x 30°)	L51*	L51	L51	L51	L51
Tele 76 mm (27° x 20°)	L76*	L76	L76	L76	L76
Tele 160 mm (13° x 10°)	L160*	L160	L160	L160	L160
Tele 320 mm (7° x 5°)	–	–	–	–	–
CSVario 28 – 63 mm (28° – 58°)	–	–	–	–	–
Image sensor with individual exposure zones	Color	Color	B/W	Color	B/W
Sensor sensitivity in lux at 1/60 s /1 s	0,25/0,013	0,25/0,013	0,005/0,0025	0,25/0,013	0,005/0,0025
Image sensor resolution (color or B/W sensor)	5 MP (2592 x 1944)	5 MP (2592 x 1944)	5 MP (2592 x 1944)	5 MP (2592 x 1944)	5 MP (2592 x 1944)

Hardware Functions					
Protection class	IP54	IP65	IP65	IP65	IP65
Temperature range -30 to +50°C/-22 to +122°F	•	•	•	•	•
Temporary internal DVR	2 MB	32 MB	32 MB	64 MB	64 MB
Internal DVR, ex works (max. 64 GB)	–	4 GB (MicroSD)	4 GB (MicroSD)	4 GB (MicroSD)	4 GB (MicroSD)
Microphone/speaker (only via MOBOTIX accessory)	–/–	via ExtIO	via ExtIO	via ExtIO	via ExtIO
Passive infrared sensor (PIR)	–	–	–	–	–
Integrated temperature sensor	–	•	•	•	•
Shock detector	–	•	•	•	•
Power consumption (typical)	< 4,5 watts	< 4,5 watts	< 4,5 watts	< 4,5 watts	< 4,5 watts
Variable PoE class (factory default: 3)	2 or 3	2 or 3	2 or 3	2 or 3	2 or 3

Image Formats, Frame Rates, Image Storage					
Maximum image format (per sensor)	HD (1280 x 720)	HD (1280 x 720)	HD (1280 x 720)	QXGA (2048 x 1536)	QXGA (2048 x 1536)
Maximum frame rate (MxPEG, max. resolution)	30 fps (HD)	30 fps (HD)	30 fps (HD)	20 fps (QXGA)	20 fps (QXGA)
CIF images with 4 GB MicroSD DVR	–	250,000	250,000	250,000	250,000
VGA images with 4 GB MicroSD DVR	–	125,000	125,000	125,000	125,000
HD images with 4 GB MicroSD DVR	–	40,000	40,000	40,000	40,000
QXGA images with 4 GB MicroSD DVR	–	–	–	20,000	20,000

\* D25Mi-Basic: only available with factory-installed L25 lens, other lenses (L38 to L160) are to be ordered separately and can be installed by the customer  
 • available ex works – not available



Camera Model	D25Mi-Basic	D25M-IT	D25M-IT-Night	D25M-Sec	D25M-Sec-Night
<b>General Functions</b>					
Digital zoom (continuous) with panning	•	•	•	•	•
Codecs: Motion-JPEG/MxPEG/H.264 for SIP	•/•/–	•/•/•	•/•/•	•/•/•	•/•/•
Programmable exposure zones	•	•	•	•	•
Snapshot recording (pre/post-alarm images)	3	10	10	50	50
Terabyte ring buffer storage (internal/network)	–	•	•	•	•
Continuous recording with sound (0.2 to 30 fps – via ExtIO)	–	•	•	•	•
Event recording with sound (via ExtIO)	•	•	•	•	•
Time and event control/flexible event logic	–/–	•/–	•/–	•/•	•/•
Weekly schedules/holidays	–	•	•	•	•
Web functionality (FTP, email)	•	•	•	•	•
Playback/QuadView and MultiView	•/•	•/•	•/•	•/•	•/•
Bidirectional sound in browser (via ExtIO)	–	•	•	•	•
Logo generator, animated	–	•	•	•	•
Master/Slave arming	–	–	–	•	•
Several scheduled privacy zones	–	–	–	•	•
Customized voice messages	–	•	•	•	•
VoIP telephony (audio/video, alert – via ExtIO)	–	•	•	•	•
Remote alarm notification (network message)	–	•	•	•	•
Signal inputs/outputs and RS232 via	–	MX-232-IO-Box	MX-232-IO-Box	MX-232-IO-Box	MX-232-IO-Box
Programming interface (HTTP API)	–	•	•	•	•
Security Features (HTTPS/S/L, IP-based access control, IEEE 802.1X network authentication)	•	•	•	•	•

Video Analysis					
Video motion detector	–	•	•	•	•
MxAnalytics	–	–	–	–	–
MxActivitySensor	–	•	•	•	•

Video Management Software					
MxEasy (Windows/Mac OS X)	•	•	•	•	•
MxControlCenter (Windows)	•	•	•	•	•
MOBOTIX App (iOS)	•	•	•	•	•

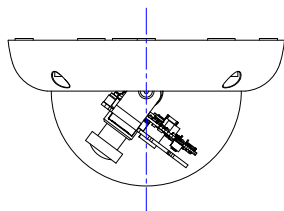


## Delivered Parts D25M (Secure)

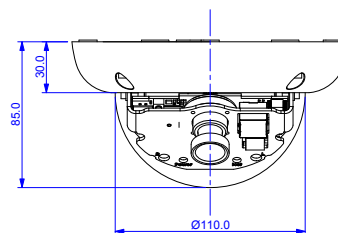


(Excerpt from the technical documentation: [www.mobotix.com](http://www.mobotix.com) > Support > Manuals)

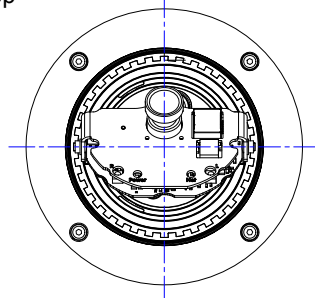
Side



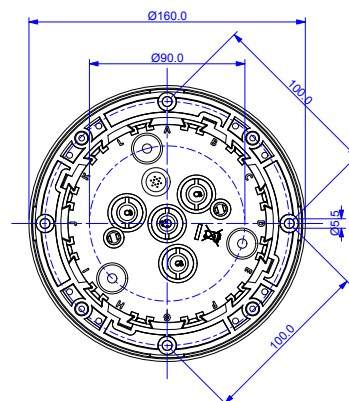
Front



Top



Bottom



(Excerpt from technical drawings and 3D views: [www.mobotix.com](http://www.mobotix.com) > Support > Image Database)

*Outer shell*

*Dome*

*Lens unit*

*Key R*

*Key L*

*LEDs*

*Slot for MicroSD card*

*MiniUSB (e.g. for ExtIO)*

*Network Connection*



**(D25M – Camera housing and connectors, excerpt from the technical documentation)**